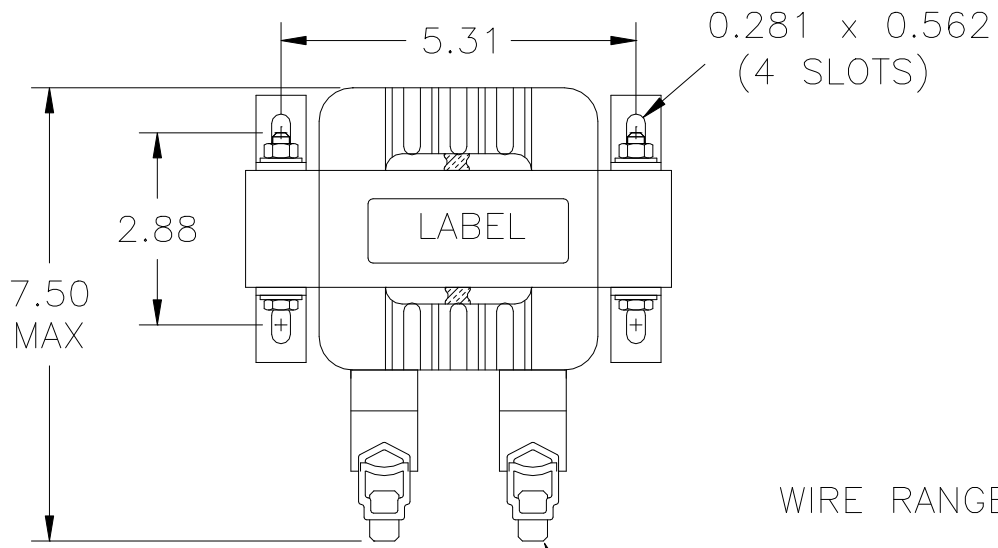


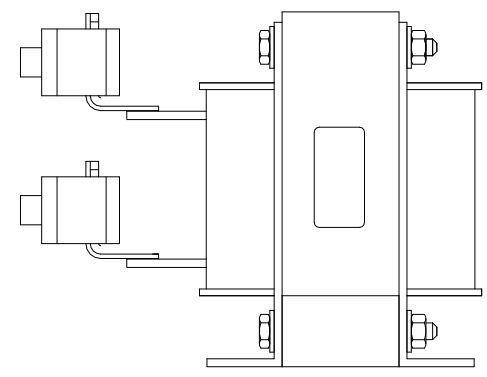
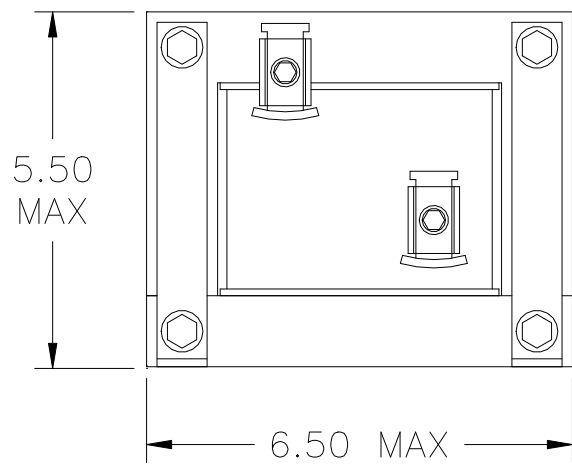
| | | |
|------------|----------|--------|
| INDUCTANCE | LOSSES | WEIGHT |
| 0.15 mH | 44 Watts | 18 Lbs |

| NO. | CHANGE DESCRIPTION | BY | DATE | C'K'D |
|-----|--------------------------------|----|---------|-------|
| 03 | REVISED PER ECR 7175, ADDED CD | RS | 8/23/10 | |



WIRE RANGE: 2-0000 AWG

CAUTION-TERMINAL SCREW TIGHTENING TORQUE: 150 in-lb MAX.



UNLESS OTHERWISE SPECIFIED, DIMENSIONS ARE IN INCHES [mm] AND TOLERANCES ARE:

- DECI. FRAC.
- ANGLES DRILLED HOLES

| | |
|--------------|-------------------|
| PART NAME: | DC LINK CHOKE |
| DESCRIPTION: | OUTLINE DIMENSION |
| FINISH: | |

| | | | |
|---|--------|---------------|------------|
| MTE CORPORATION MENOMONEE FALLS, WISCONSIN | | | |
| CD 150RB001 | | | REV. 03 |
| SCALE | NTS | DATE 06/24/98 | C'K'D |
| REF. | DR. BY | AJU | APP'D |

FILE: